

GENERAL

ALIAMAG The Aliamag AMC210NT series converter is a microprocessor based intelligent transmitter that can be paired with any of the Alia AMF series sensors. The unit features multiple display parameters including flow rate, flow total, diagnostics, programming and troubleshooting.

FEATURES

- ❑ Three line LCD display Flow Rate / Totalizer
- ❑ Accuracy of +/-0.4% value of reading
- ❑ Bi-directional flow measurement, current and pulse output
- ❑ Large digital display
- ❑ Records up to 99 power on/off time
- ❑ MODBUS/HART communication



STANDARD SPECIFICATION

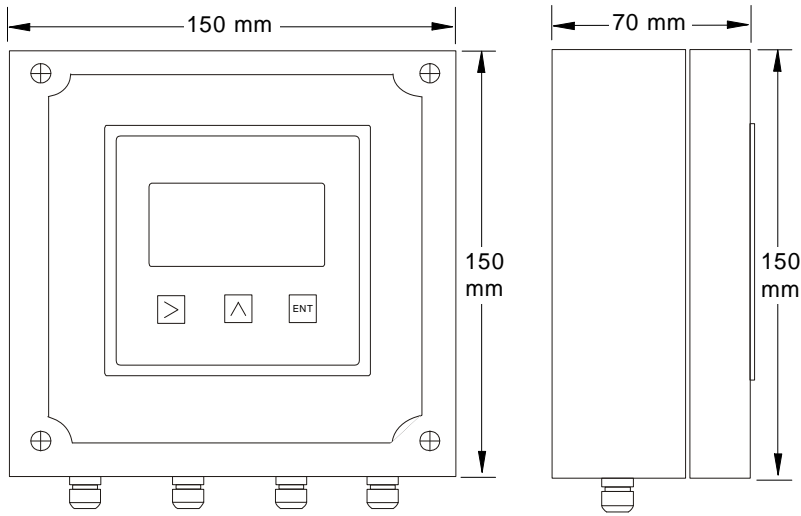
- | | | | |
|-------------------|---|------------------------|---|
| ● Excitation | : DC pulsed | ● Keypad | : 3 external keys for programming and display control |
| ● Display | : 3 lines LCD with illumination | ● Low Flow Cutoff | : 0 to 9.9 % |
| Line 1 | : 11 digit totalizer for forward flow
11 digit totalizer for reverse flow
11 digit totalizer for difference | ● Data Logger Function | : 99 times flowrate records for power on/off |
| Line 2 | : 5 digit flowrate / velocity / % / mA / HZ | ● Record Data | : Date/Time when Power on/off
Flow rate when Power on/off
Totalizer when Power on/off |
| Line 3 | : Parameter / Query / Clr tot / Query LOG
Alarm, Guidance | ● Damping | : 0 to 99 Seconds |
| Unit | : M3/H, L/H, Kg/H, T/H, L/min, M3/min, GPH
GPM, ML/H, ML/m, ML/sec | ● Density Setting | : 0.1 to 9.99 g/cm3 |
| ● Measuring Range | : Min. 0 to 0.15 m/s
: Max. 0 to 15 m/s | ● Self Diagnosis | : The following error message are displayed if failure occurs
- Coil failure
- Power failure
- Overranged output
- Internal error
- Overflow
- Empty pipe |
| ● Accuracy | : +/-0.4% of reading (Velocity ≥ 0.5 m/s)
: +/-0.002 m/s (Velocity < 0.5 m/s) | ● Cable Entry | : Standard :PG11 Option:1/2"NPTF |
| ● Repeatability | : +/-0.1% of reading | ● Protection Class | : IP 65 |
| ● Current Output | : 4-20 mA (Isolated)
Load : Max. 600 Ω | ● Ambient Temperature | : -25 to +65 °C |
| ● Pulse Output | : Open collector
Rating : 3 to 30 VDC, 20 mA Max. | ● Material | : Aluminum Alloy |
| ● Pulse Rate | : 1)Scale pulse (Pulse/M3, Pulse/L, Other)
: 2)Frequency: 0-5000 Hz | ● Power Supply | : 90-260 VAC, 50/60 Hz
: 24VDC +/-10% (Option) |
| ● Pulse Width | : 50% of band width | ● Power Consumption | : 3-17 W (Dependent on sensor size) |
| ● Alarm | : High/Low with open collector output
Rating : 3 to 30 VDC, 20 mA Max. | ● Weight | : 1.4 Kg |
| ● Communication | : RS 485 (MODBUS Protocol)
: HART signal (Compatible) | ● Mounting | : Wall mounting
: Bracket on 2" pipe |
| ● Data Storage | : Operation parameters and totalizer figures are stored by EEPROM for more than 10 years | | |

ALIA GROUP INC.

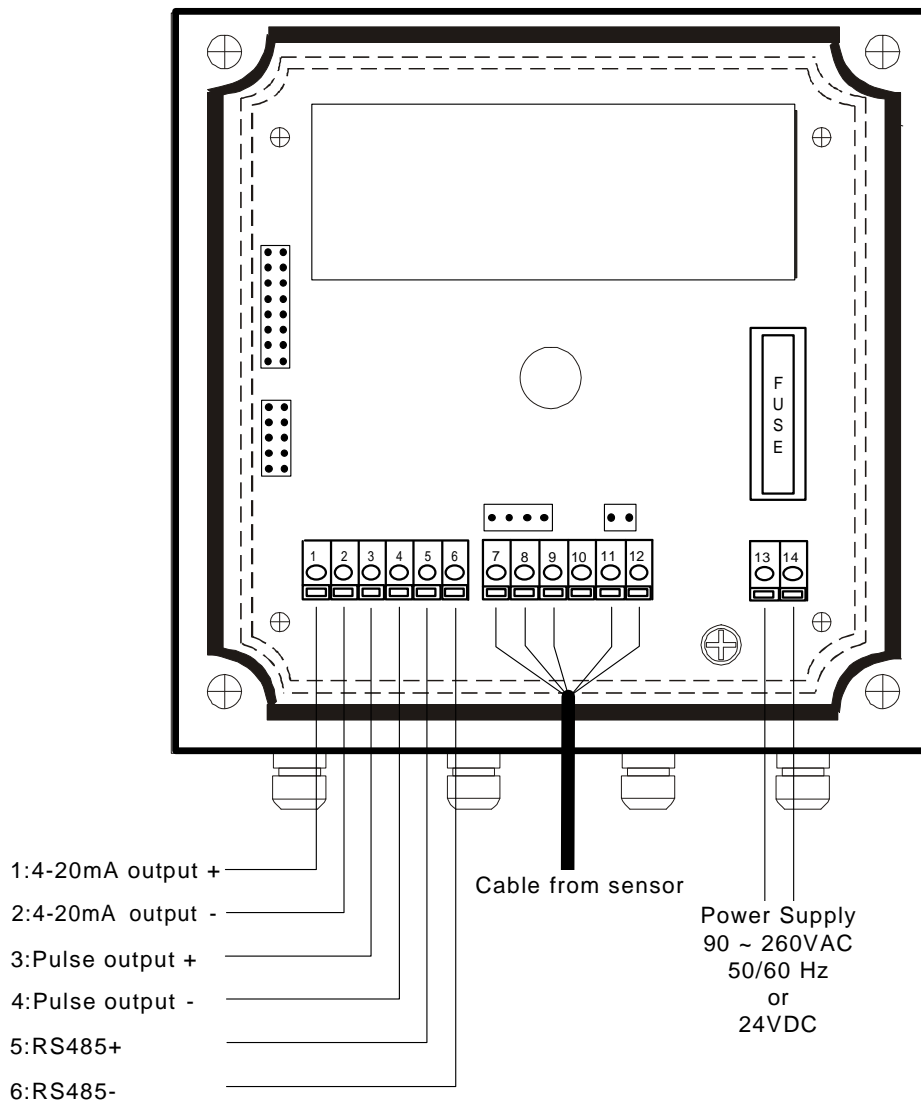
113 Barksdale Professional Center, Newark, DE 19711, USA
TEL : + 1 - 302 - 213 - 0106 FAX : + 1 - 302 - 213 - 0107

URL : www.alia-inc.com
E-mail : alia@alia-inc.com
AMC210NTV1.1.9.A4.en

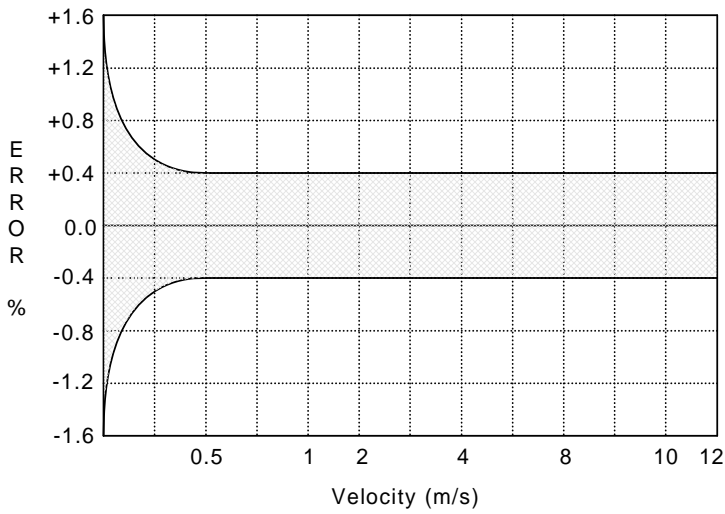
➤ DIMENSIONS



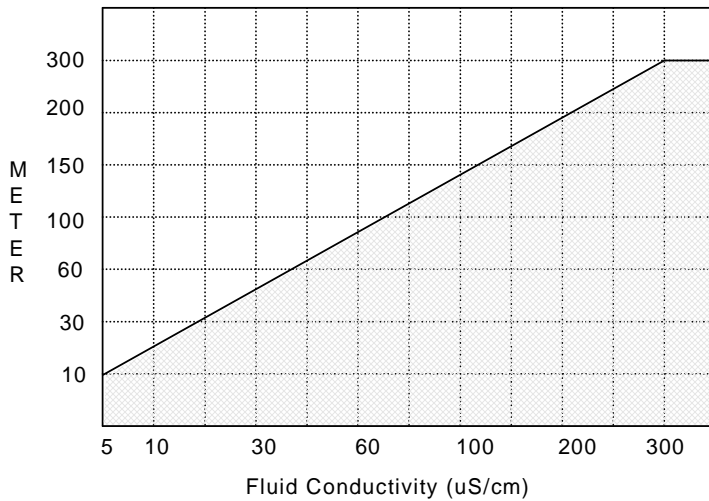
➤ WIRING DIAGRAM



➤ ACCURACY



➤ CABLE LENGTH BETWEEN SENSOR & CONVERTER



➤ MODEL SELECTION GUIDE

AMC210NT Series					
Example: AMC210NT-AC-CP-HT-NN					
AMC210NT-	XX-	XX-	XX-	XX	Description
Power supply	AC-				90-260 Vac, 50/60 Hz
	DC-				24Vdc, +/-10%
Mounting	CP-				Compact with Sensor
	SW-				Separate, Wall Mounting
	S2-				Separate, 2" Mounting Bracket
Communication	NN				RS 485 (MODBUS Protocol)
	HT				HART Signal (Compatible)
Option	NN				None
	PT				Cable Entry 1/2" NPTF

➤ BUILD OPTIONS-(COMPACT OR REMOTE)

