



ALIAMAG

Converter For Electromagnetic Flowmeter

Model AMC400NT Series

GENERAL

ALIAMAG The Aliamag AMC400NT series converter is a microprocessor based intelligent transmitter that can be paired with any of the Alia AMF series sensors. The unit features multiple display parameters including flow rate, flow total, diagnostics, programming and troubleshooting.

FEATURES

- Battery life 2~3 years in normal working condition
- Accuracy of +/-0.3% value of reading
- Bi-directional flow measurement, current and pulse output
- 3 lines of LCD display flowrate and totalizer
- Records up to 99 power on/off time
- IP67 / IP68 protection class

STANDARD SPECIFICATION



- Excitation : DC pulsed
- Display : 3 lines of LCD
 - Page 1/ Line 1 : 5-digit flowrate
 - Page 1/ Line 2 : 11-digit forward totalizer
 - Page 1/ Line 3 : Battery status, flow velocity
 - Page 2/ Line 1 : 11-digit totalizer
 - Page 2/ Line 2 : 11-digit reverse totalizer
 - Page 2/ Line 3 : Display instantaneous velocity
 - Page 3 : Alarm
- Flow Unit : M3/Hr, M3/min, M3/sec, L/Hr, L/min
GPH, GPM, GPS, ML/H, ML/m, ML/S
- Totalizer Unit : M3, Gallon, Liter, ML
- Measuring Range : Min. 0 ~ 0.15 m/s
: Max. 0 ~ 15.0 m/s
- Accuracy : +/-0.3% of reading (Velocity ≥ 0.5 m/s)
: +/-0.0015 m/s (Velocity < 0.5 m/s)
- Repeatability : +/-0.05% of reading
- Pulse Output : Open collector
Load : 3 ~ 30 Vdc, max. 20 mA
- Pulse Rate : 1) Scaled pulse (Liter/Pulse, other)
: 2) Frequency: 1~5000 Hz
- Keypad : 4 control keys to change parameters
and switch display interface
- Damping : 0.1~99.9s
- Data Storage : Operation parameters and totalizer are
stored by EEPROM for more than 10 years
- Low Flow Cutoff : 0 ~ 9.9 %
- Self Diagnosis : The following error message
are displayed if failure occurs
 - Coil failure
 - Power failure
 - Overranged output
 - Internal error
 - Overflow
 - Empty pipe
- Cable Entry : Standard : PG11 Option: 1/2"NPTF
- Protection Class : IP 67
: IP 68 (Submersible)
: Explosion Proof, Exd(ib)ibqIBT5
- Ambient Temp. : -25 ~ +65 °C
- Housing Material : Aluminum alloy
- Power Supply : 3.6V battery, Size D
- Battery Life : 2~3 years
Determined by size & function
- Communication Protocol : RS 485 (MODBUS protocol)
- Weight : 2.0 Kg (Compact)
4.3 Kg (Separate)
- Mounting : Wall mounting
Bracket on 2" pipe
Compact version (Installed on sensor)

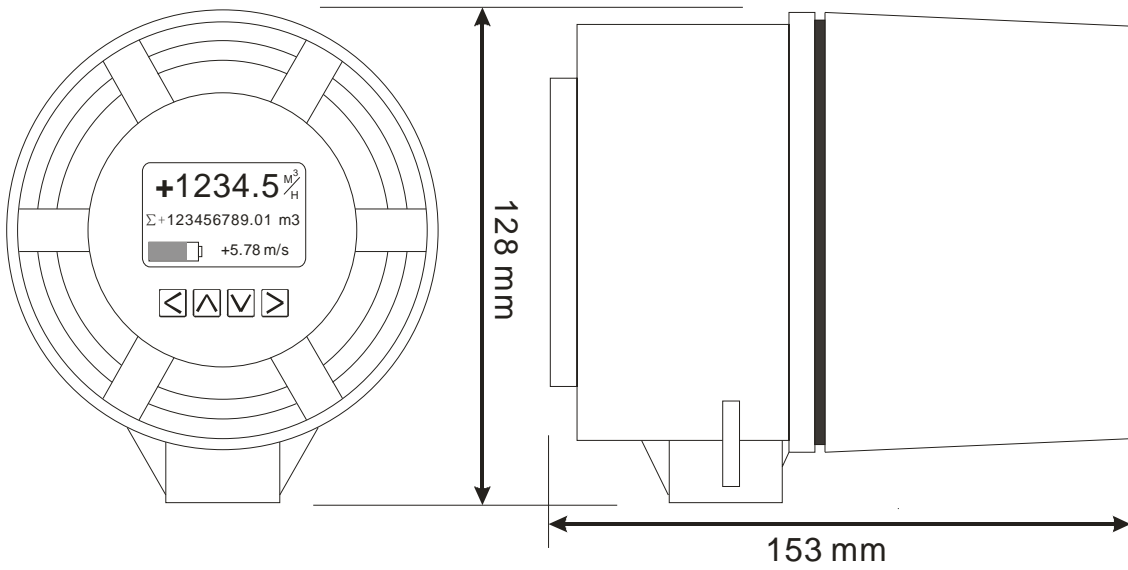


ALIA GROUP INC.

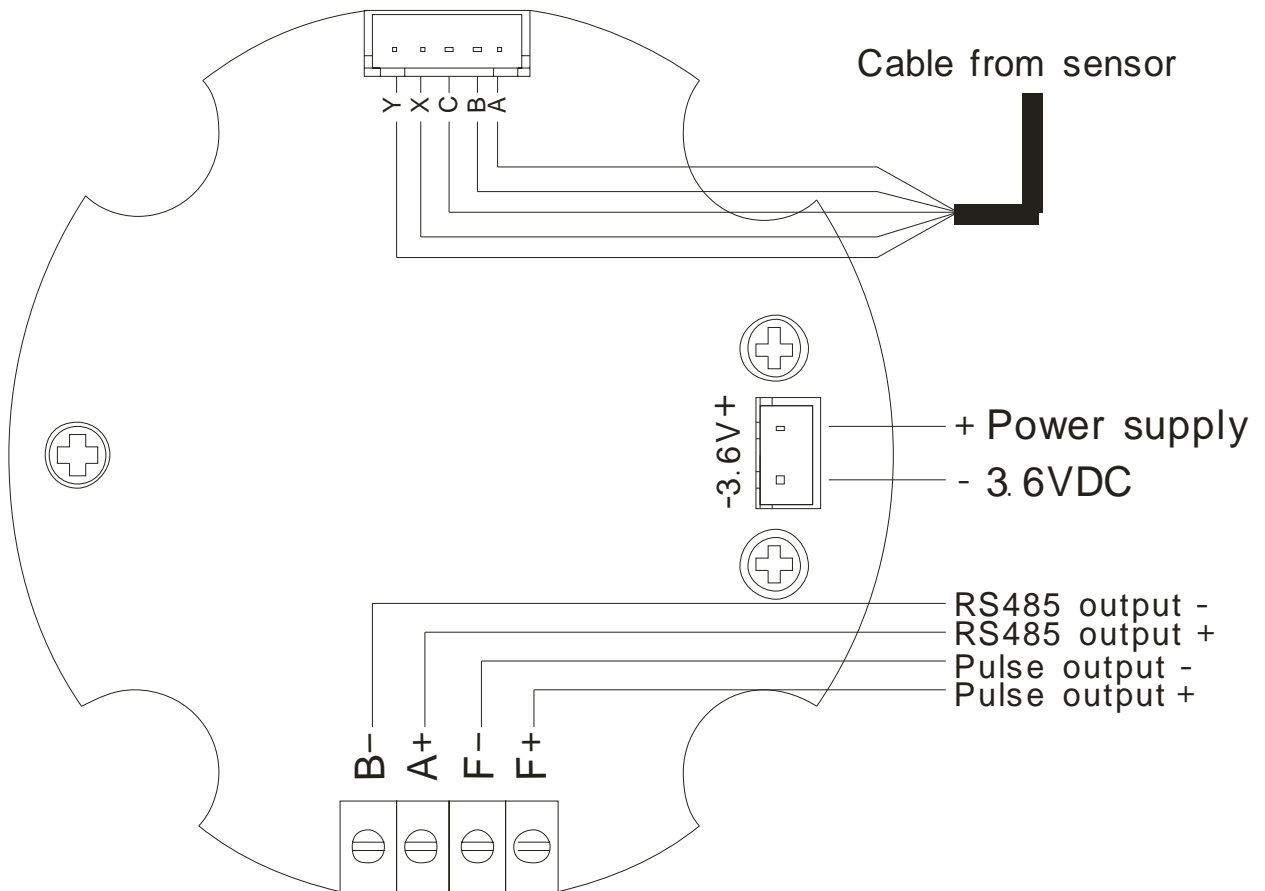
113 Barksdale Professional Center, Newark, DE 19711, USA
TEL : + 1 - 302 - 213 - 0106 FAX : + 1 - 302 - 213 - 0107

URL : www.alia-inc.com
E-mail : alia@alia-inc.com
AMC400NTV1.1.9.A4.en

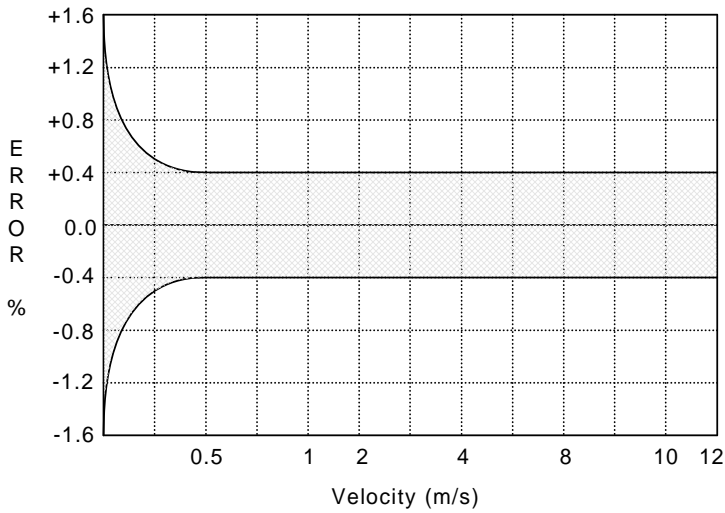
➤ DIMENSIONS



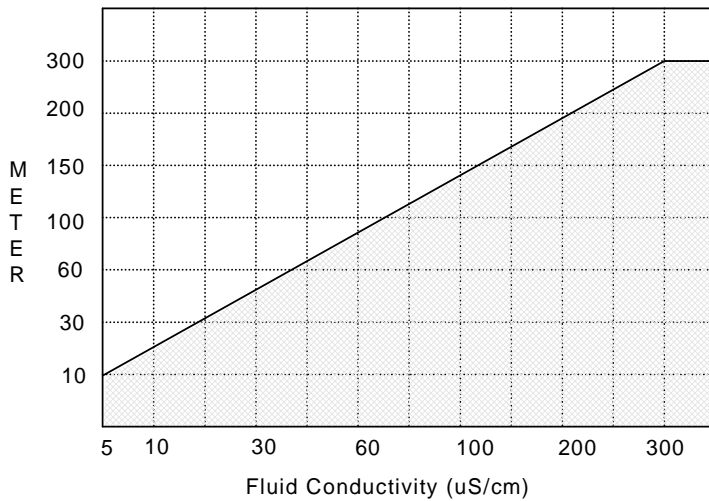
➤ WIRING DIAGRAM



➤ ACCURACY



➤ CABLE LENGTH BETWEEN SENSOR & CONVERTER



➤ MODEL SELECTION GUIDE

AMC400NT Series					
Example: AMC400NT-CP-NN-BX-NN					
AMC400NT-	XX-	XX-	XX-	XX	Description
Mounting	CP-				Compact with Sensor
	SW-				Separate, Wall Mounting
	S2-				Separate, 2" Mounting Bracket
Protection Class		NN-			IP 67
		68-			IP 68 (Submersible)
		EX-			Explosion Proof, Exd(ib)ibqIIBT5
Battery			BX-		Battery Box without Battery
			BT-		Battery Box with Battery, 3.6V / Size D x 4 Pcs
Cable Entry				NN	None
				EP	6 pin IP65 connector (External Power/ Frequency/ RS485)
				PT	1/2" NPTF

➤ BUILD OPTIONS-(COMPACT OR REMOTE)

Separate Type



Compact Type