

GENERAL

ALIAMAG AMF30NT Series is a threaded type electromagnetic flowmeter ideal for conductive liquids. It comes in sizes from 3 to 32 mm. The AMF30NT is widely used for tap-water, waste water, food & beverage, pulp & paper and many other industrial fluid. AMF30NT Series electromagnetic flowmeter could be used in compact or separate model with AMC Series converter of electromagnetic flowmeter.

FEATURES

- Light and compact version
- Flow velocity range: 0-12 m/s, precisely in low flow applications
- Interface thread piping
- FEP Liner suitable for vacuum tube
- High accuracy of +/-0.4% value of reading (or +/-0.2% value of reading)
- With Forward / Reverse flowrate measurement function

STANDARD SPECIFICATION

- Size : 3, 6, 10, 18, 22, 32 mm
- Measuring Range : Velocity 0-0.25 m/s min.
0-12 m/s max.
- Material
 - Tube & Connection : Stainless Steel 304
 - Coil Housing : PVC
 - Liner : FEP
 - Electrode : Stainless Steel 316L (3mm~32mm)
 - : Titanium (3mm~32mm)
 - : Hastelloy B (3mm~32mm)
 - : Hastelloy C (3mm~32mm)
 - : Tantalum (3mm~32mm)
 - : Platinum (18mm~32mm)
- Flow Range
 - 3 mm : 0 - 6.4 L/Hr ~ 0 - 305 L/Hr
 - 6 mm : 0 - 25 L/Hr ~ 0 - 1221 L/Hr
 - 10 mm : 0 - 71 L/Hr ~ 0 - 3393 L/Hr
 - 18 mm : 0 - 229 L/Hr ~ 0 - 10993 L/Hr
 - 22 mm : 0 - 342 L/Hr ~ 0 - 16421 L/Hr
 - 32 mm : 0 - 724 L/Hr ~ 0 - 34743 L/Hr
- Cable Entry : Standard :PG11 Option:1/2"NPTF
- Ambient Temperature : -25 to +60 °C
- Process Connection : Screw male thread (BSP)
- Grounding Resistance : Must be less than 10 Ω
- Accuracy : +/-0.4% of reading (Velocity ≥ 0.5 m/s)
+/-0.2% of reading
(Suitable for AMC3100 converter only)
+/-0.0025 m/s (Velocity < 0.5 m/s)
- Temperature
 - Compact : -10 ~ +80 °C
 - Separate : -20 ~ +120 °C
- Max. Pressure : 16 Kg/cm²
- Explosion Proof : Exd(ib)ibqIIBT5
(with AMC310NT/AMC400NT only)
- Protection Class : IP 67
- Conductivity : More than 5 uS/cm

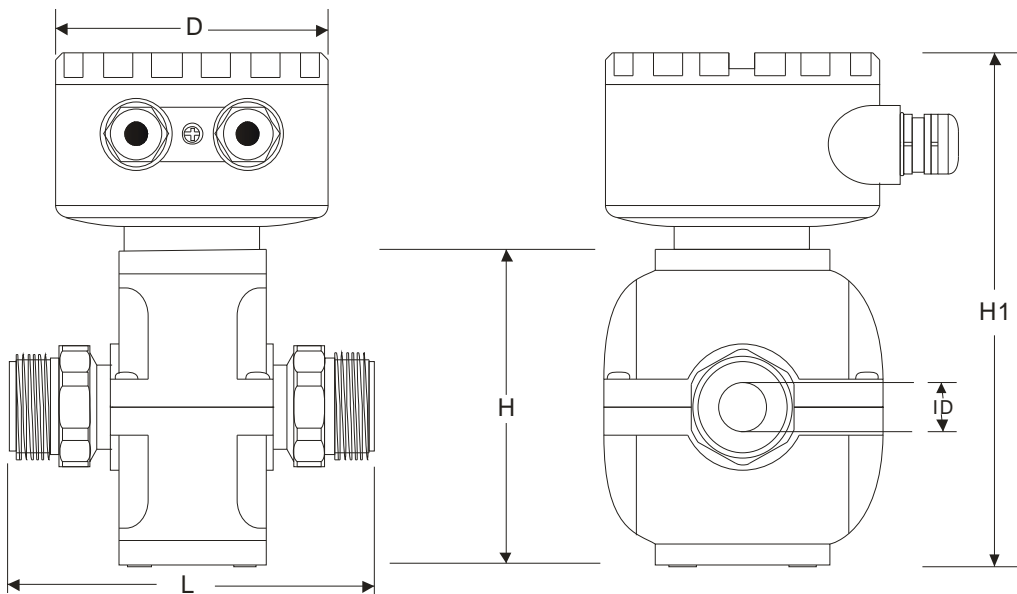


FLOW RANGE

Unit: Liter/Hr

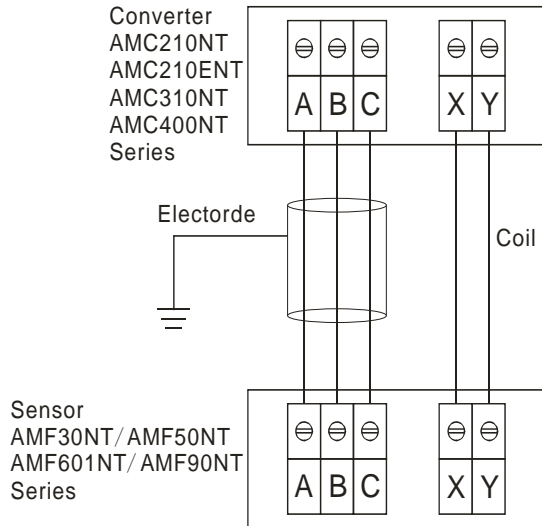
Normal Size mm	Flow Range & Velocity Table						
	Min. 0 - 0.25M/S	1.0 M/S	2.0 M/S	3.0 M/S	5.0 M/S	10.0 M/S	Max. 0 - 12 M/S
3	0 to 6.4	25	51	76	127	254	0 to 305
6	0 to 25	102	204	305	509	1,018	0 to 1,221
10	0 to 71	283	565	848	1,414	2,827	0 to 3,393
18	0 to 229	916	1,832	2,748	4,580	9,161	0 to 10,993
22	0 to 342	1,368	2,737	4,105	6,842	13,684	0 to 16,421
32	0 to 724	2,895	5,790	8,686	14,476	28,952	0 to 34,743

DIMENSIONS



Size ID(mm)	Connection	Dimensions (mm)				Weight kg
		L	D	H	H1	
3	3/4" BSP	110	93	106	175	1.5
6		110	93	106	175	1.5
10		110	93	106	175	1.7
18	1" BSP	123	93	106	175	2
22	1-1/4" BSP	128	93	106	175	2
32	1-3/4" BSP	133	93	182	252	2.2

➤ WIRING DIAGRAM



➤ MODEL SELECTION GUIDE

AMF30NT Series					
Example: AMF30NT-06-C-050-N					
AMF30NT-	XX	-X	XXX	-X	Description
Size	03 ~32				3, 6, 10, 18, 22, 32mm
Electrode Material	-S				Stainless Steel 316L (3mm~32mm)
	-T				Titanium (3mm~32mm)
	-B				Hastelloy B (3mm~32mm)
	-C				Hastelloy C (3mm~32mm)
	-A				Tantalum (3mm~32mm)
	-P				Platinum (18mm~32mm)
	-Z				Others
Installation & Cable Length	NNN				Compact Version
	010~300				Separate Version, Cable 10M ~ 300M
Option			-N	None	
			-X	Explosion Proof, Exd(ib)ibqIIBT5 (with AMC3100/AMC4000 Only)	
			-PT	Cable Entry 1/2" NPTF	

➤ BUILD OPTIONS-(COMPACT OR REMOTE)

